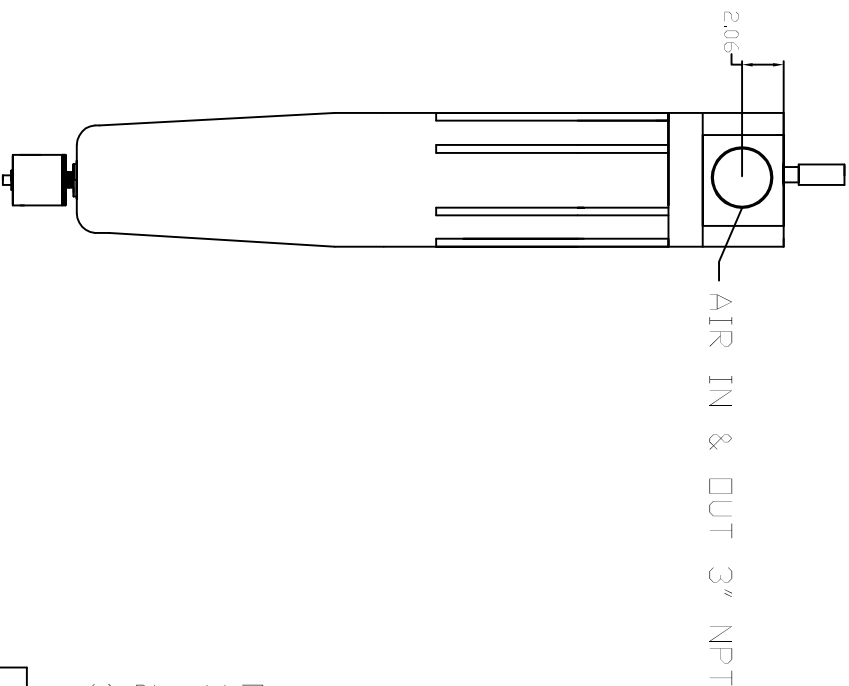
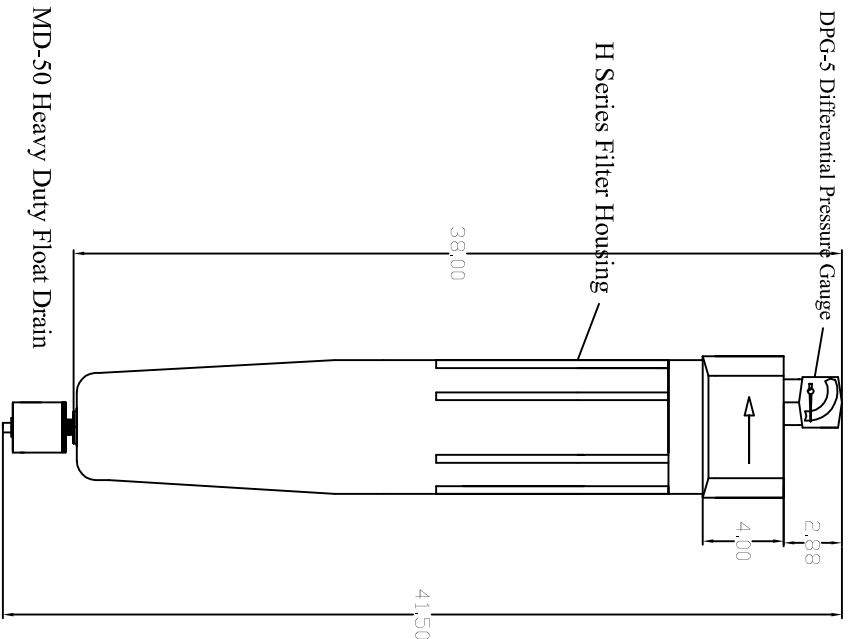
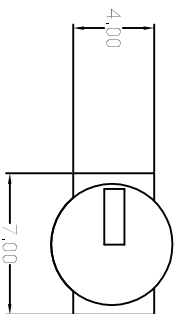


H SERIES FILTERS MEET ISO STANDARD ISO8573-1

Element Selection Guide

Specification Filtration Type Grade Code	Particulate Pre-filter GRADE P	Oil Removing General Purpose GRADE C	Oil Removing High Efficiency GRADE E	Oil Removing Absorber GRADE A
Particulate Removal (Micron)	3 µm	1 µm	0.01 µm	0.01 µm
Max. oil carry over at 70 F (PPM)	Na	0.1 µm	0.01 µm	0.003
Max. working temp. (F)	175F	180 F	180 F	180 F
Initial pressure loss (psig)	0.58	0.725	1.45	1.15
PSL loss for element change (psid)	10	10	10	10
Max. working pressure (psid)	200 psig			
Element end cap material	Plastic			
Element media type	Pleated Cellulose			
Element support material	Stainless Steel			

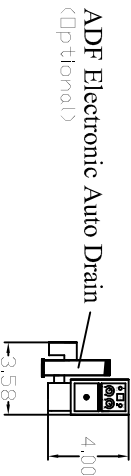


- NOTES:
1. 1/8" FPT DRAIN CONNECTION.
 2. MAWP 232 PSIG
 3. Element E1300X

MACAIR INC. www.macairl.com
 4123 Pioneer dr
 Walled Lake, MI 48390

H1300 Filter Housing

Rev		DIM-H1300-1
Rev. Date		
DATE	11-2013	



MD-50 Heavy Duty Float Drain

ADF Electronic Auto Drain
 (Optional)