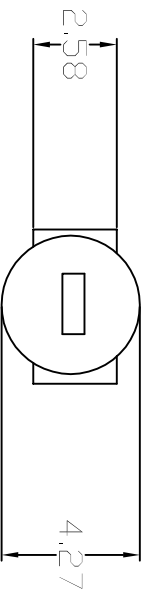
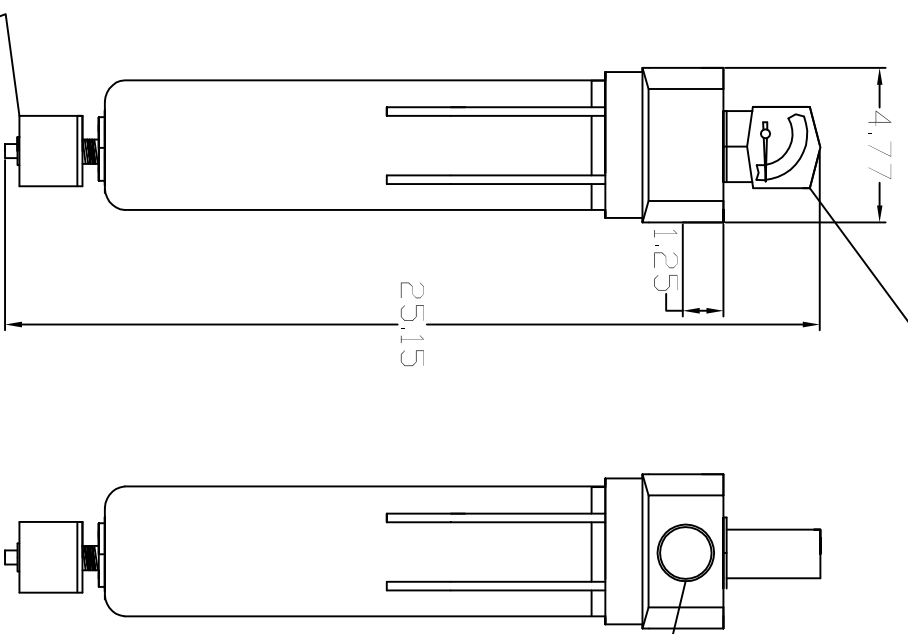


Element Selection Guide



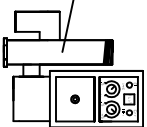
Specification Filtration Type Grade Code	Particulate Pre-filtrer GRADE P	Oil Removing General Purpose GRADE C	Oil Removing High Efficiency GRADE E	Oil Removing Absorber GRADE A
Particulate Removal (Micron)	3 um	1 um	0.01 um	0.01 um
Max. oil carry over at 70 F (PPM)	Na	0.1 um	0.01 um	0.003
Max. working temp (F)	175F	180 F	180 F	180 F
Initial pressure loss (psig)	0.58	0.725	1.45	1.15
PSI loss for element change (psid)	10	10	10	10
Max. working pressure (psid)	200 psig			
Element end cap material	Plastic			
Element media type	Pleated Cellulose			
Element support material	Stainless Steel			

DPG-5 Differential Pressure Gauge



- NOTES:
1. 1/8" FPT DRAIN CONNECTION,
 2. MAWP 232 PSIG
 3. Element E250x
- IN & OUT CONNECTION 1 1/2" FPT

ADF Electronic Auto Drain
(Optional)



MD-50 Heavy Duty Float Drain

MACAIR INC. www.macair1.com	
4123 Pioneer dr Walled Lake, MI 48390	
H250 Filter	
Rev	
Rev.Date	
DATE	
	H250