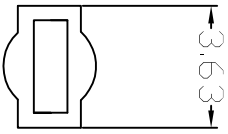
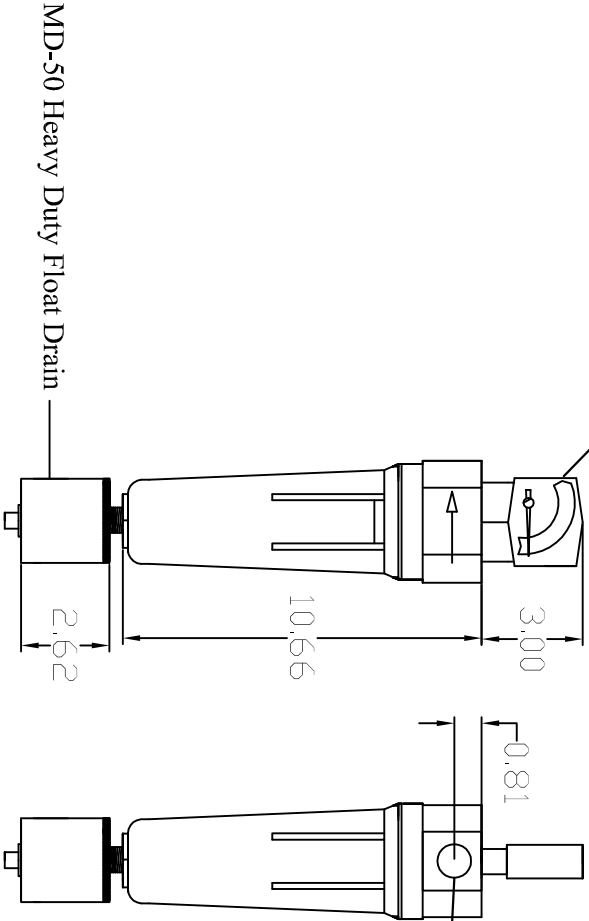


Element Selection Guide

Specification Filtration Type Grade Code	Particulate Pre-filter GRADE P	Oil Removing General Purpose GRADE C	Oil Removing High Efficiency GRADE E	Oil Removing Absorber GRADE A
Particulate Removal (Micron)	3 um	1 um	0.01 um	0.01 um
Max. oil carry over at 70 F (PPM)	Na	0.1 um	0.01 um	0.003
Max. working temp (F)	175F	180 F	180 F	180 F
Initial pressure loss (psig)	0.58	0.725	1.45	1.15
PSI loss for element change (psid)	10	10	10	
Max. working pressure (psid)	200 psig			
Element end cap material	Plastic			
Element media type	Pleated Cellulose			
Element support material	Stainless Steel			



DPG-5 Differential Pressure Gauge



AIR IN & OUT 1/2" FPT

NOTES:

1. 1/8" FPT DRAIN CONNECTION.
2. MAWP 232 PSIG

Element # E40X

MACCAIR INC. www.maccairl.com
 4123 Pioneer dr
 Walled Lake, MI 48390

H40 Filter

Rev		H40
Rev.Date		
DATE	12-2016	

ADF Electronic Auto Drain
 (Optional)

