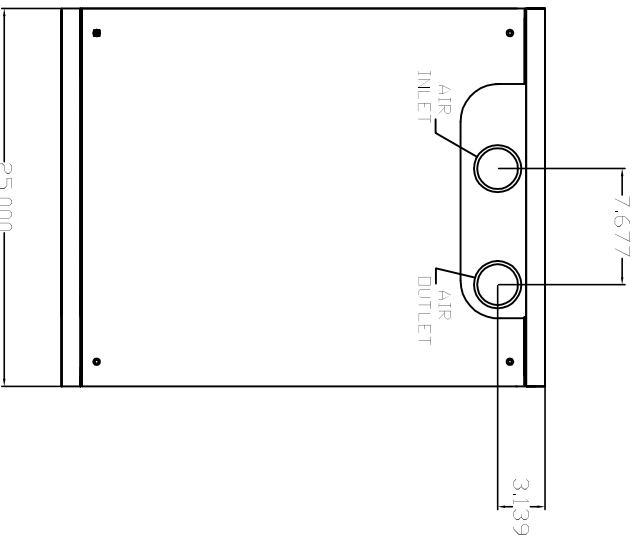
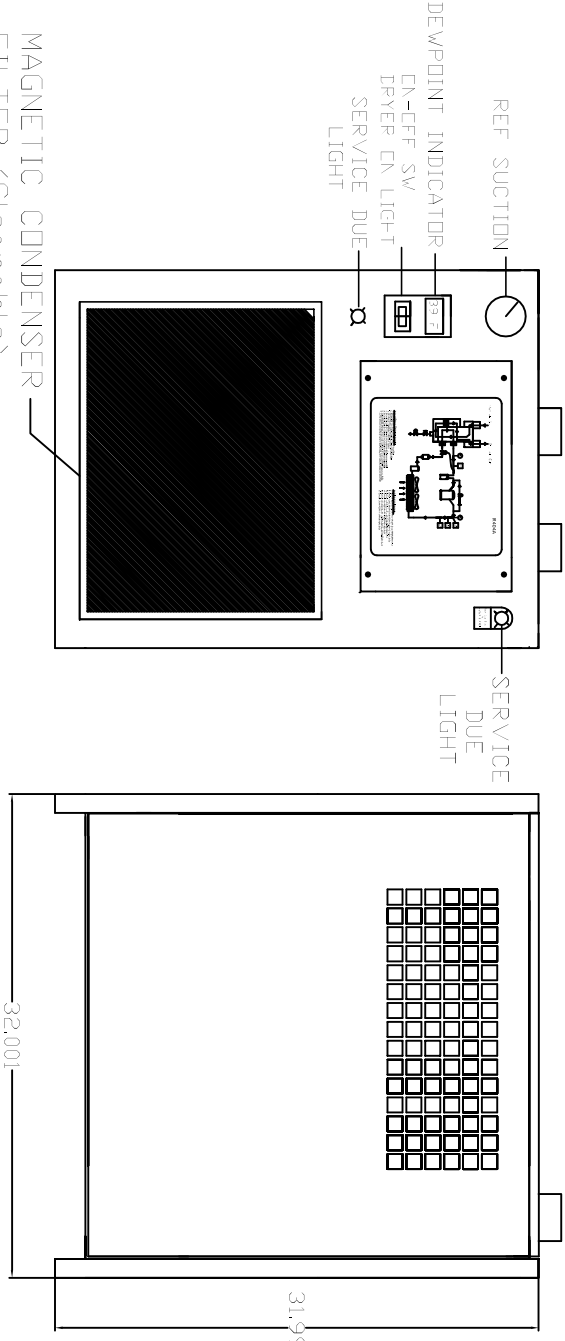


Available Voltages  
 230v-3ph-60hz  
 460v-3ph-60hz  
 575v-3ph-60hz



MADE IN USA



MODEL	CAPACITY	IN & OUT	SHIPPING WT.
UA250A	250 SCFM	2" NPT	311
UA300A	300 SCFM	2" NPT	330
UA350A	350 SCFM	2" NPT	380

**DESIGN CONDITIONS**  
 INLET CAPACITIES BASED ON CAGI ADF100  
 100 F INLET TEMP, 100 F AMBIENT TEMP,  
 100 PSIG INLET PRESSURE 38 F DEWPOINT

**UA150A, UA200A, UA250A, UA300A STANDARD FEATURES**

- DIGITAL DEWPOINT READOUT
- REFRIGERANT ANALYZER GAUGE
- ON/OFF SWITCH
- DRYER ON LIGHT
- TECUMSEH COMPRESSOR (MADE IN USA)
- COMPRESSOR THERMAL OVERLOAD
- 3 IN 1 ALUMINUM HEAT EXCHANGER MODULE
- AIR TO AIR HEAT EXCHANGER
- AIR TO REFRIGERANT HEAT EXCHANGER
- STAINLESS STEEL MESH MOISTURE SEPARATOR
- HOT GAS BYPASS VALVE
- THERMASTATIC EXPANSION VALVE
- AIR COOLED CONDENSER W/FAN MOTOR
- LOW & HIGH REFRIGERANT PRESSURE SHUTDOWN
- FAN CYCLING CONTROL
- POWDER COATED STEEL CABINET
- EASY ACCESS CABINET
- ADJUSTABLE ELECTRIC DRAIN VALVE
- REMOVABLE CONDENSER VENT COVER
- PROGRAMMABLE ELECTRONIC AUTO DRAIN VALVE
- DRAIN VALVE Y STRAINER & ISOLATION VALVE

MACAIR INC. [www.macairl.com](http://www.macairl.com)  
 4123 Pioneer dr  
 Walled Lake, MI 48390

UA250A, UA300A & UA350A  
 DIMENSIONAL DRAWING

Rev	Rev.Dc te	DATE	UA-Z3-250-350-
		8-29-2018	