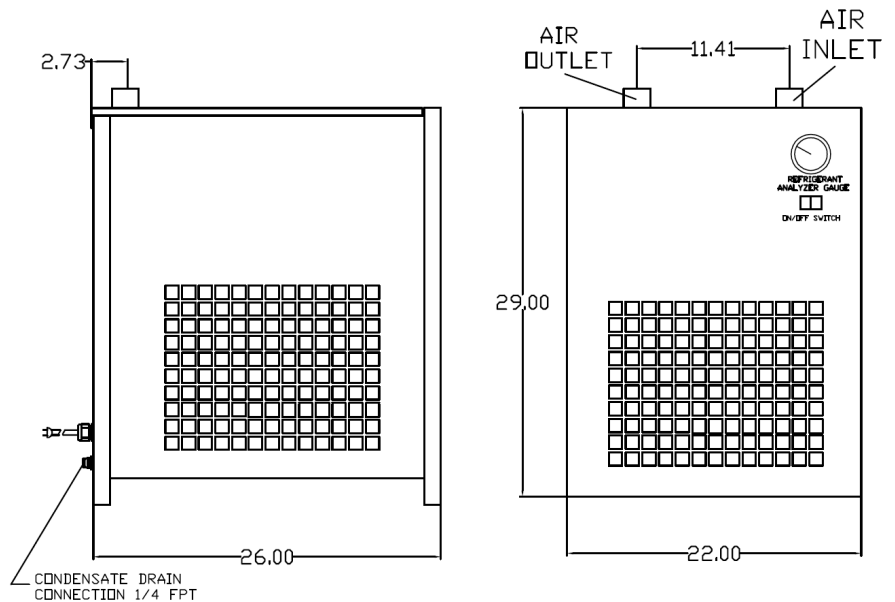


MODEL UA125A-1 NON-CYCLING REFRIGERATED AIR

MECHANICAL SPECS	
Inlet Air Flow	125 SCFM
Inlet Temp	100 / 140 F
Inlet Pressure	100 PSIG
Inlet Temp	100 F
DEWPOINT TEMP	38 F
COOLING AIR FLOW	230 CFM
PRESSURE LOSS, DESIGN	2.7
CONDENSER TYPE	Air Cooled
WEIGHT	205 LBS
IN & OUT CONNECTION	1 1/2" FPT
DRAIN CONNECTION	1/4" FPT
MAXIMUM AMBIENT TEMP	110 F
MINIMUM AMBIENT TEMP	40 F
MAXIMUM AIR PRESSURE	232 PSIG
ELECTRICAL SPECS	
Locked Rotor Amps	69
Rated Load Amps	13
Max Fuse	30
Power Connection	115-1-60
Full Load Power (WATTS)	1047



OPTIONAL FEATURES

- Pre-filter and after-filters mounted on the dryer
- 230-1-60 voltages
- Additional pressure and temperature gauges
- Mounting Brackets

STANDARD FEATURES

- Aluminum block heat exchanger
- Air to air pre-cooler/re-heater
- Stainless Steel mesh separator
- Tecumseh Compressor
- Suction Pressure Gauge
- On-Off Switch
- Compressor Overload
- Heavy duty industrial powder coated steel cabinet
- Environmentally friendly R134a refrigerant
- Refrigerant access ports
- Expansion valve
- Hot Gas Bypass Valve
- Filter Drier
- Programmable electronic drain valve with y-strainer
- Easy access cabinet design allows for ease of service.
- Made In USA



4123 PIONEER DR
WALLED LAKE, MI USA
48390

248-624-6300
248-624-0622 FAX
sales@macair1.com
www.macair1.com